

TR P

Pipe Coiled Three-Pass Hot Water Boiler

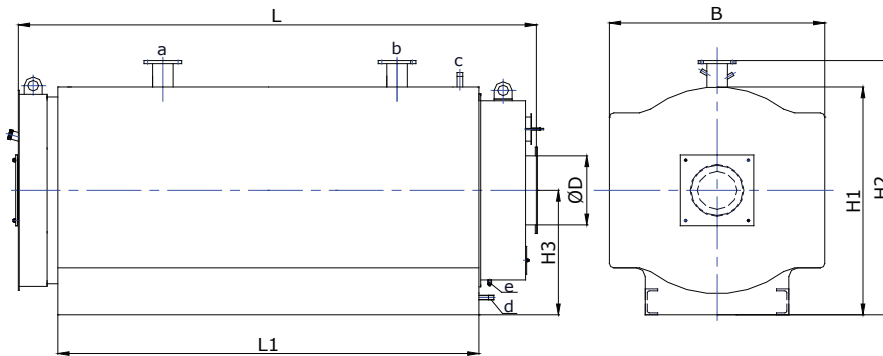
GROUND TYPE CONVENTIONAL BOILERS



Compact design, easy assembly

- * 4-8 bar operating pressure
- * Up to 94,7% efficiency
- * Easy access to boiler room and easy assembly with compact design
- * Three-pass; pipe coils between passes except for fire box
- * Long boiler life with uninterrupted pass in all three suction
- * Complete burning, low NOx and low furnace load, thanks to thermal design done to complete burning in the firebox
- * Turbulators placed in smoke tubes enable maximum benefit

TR P Pipe Coiled Three-Pass Hot Water Boiler



Technical Specifications	Unit	70	117	175	233	291	350	407	466	582	700	814	932
Capacity	kW	70	117	175	233	291	350	407	466	582	700	814	932
L	mm	1.345	1.500	1.700	1.945	1.970	2.146	2.267	2.467	2.467	2.590	2.923	2.921
L1	mm	892	1.033	1.232	1.473	1.497	1.673	1.744	1.944	1.944	2.016	2.350	2.348
B	mm	750	840	840	880	925	945	1.025	1.040	1.130	1.170	1.200	1.200
H1	mm	815	895	895	940	975	995	1.075	1.100	1.210	1.250	1.280	1.280
H2	mm	932	1.011	1.011	1.057	1.093	1.112	1.192	1.220	1.330	1.368	1.400	1.400
H3	mm	440	475	475	500	513	523	563	580	645	665	680	680
ØD	mm	150	150	150	200	200	200	200	250	250	250	250	300
Water Outlet (a)	DN	50	50	50	65	65	65	80	80	80	100	100	100
Water Inlet (b)	DN	50	50	50	65	65	65	80	80	80	100	100	100
Expansion nozzle (c)	mm	Ø42,4	Ø42,4	Ø42,4	Ø42,4	Ø42,4	Ø42,4	Ø42,4	Ø60,3	Ø60,3	Ø60,3	Ø88,9	Ø88,9
Boiler Drain (d)	inch	3/4"	3/4"	3/4"	3/4"	3/4"	3/4"	3/4"	3/4"	3/4"	3/4"	3/4"	3/4"
Smoke Box Drain (e)	inch	3/8"	3/8"	3/8"	3/8"	3/8"	3/8"	3/8"	3/8"	3/8"	3/8"	3/8"	3/8"
Water Volume	mm	180	240	260	330	370	410	600	680	780	830	1.040	1.010
Counter pressure	mbar	0,9	1,4	1,5	1,6	3,6	5,6	6,3	6,9	7,5	8,0	8,5	9,1